



## High-Reliability Dome Camera

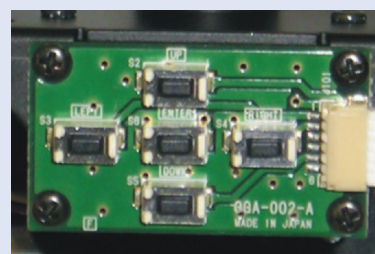
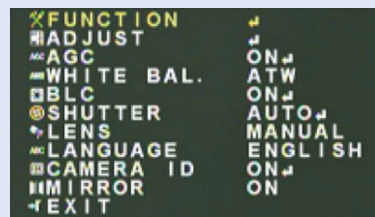
### PXD-4PV



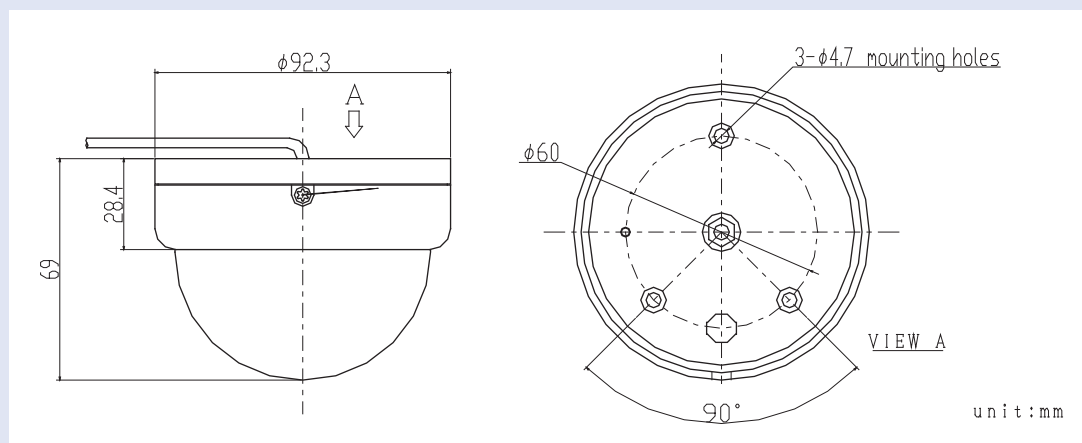
#### SPECIFICATION

<b>Model</b>	<b>PXD-4PV-00</b>
Power Source	+8 +12V : With use PXA-BA-01 can support 12V or 24V.
Power Consumption	1.5W(Max) : Not include PXA-BA-01.
Synchronization	Internal
Image Pick-up Device	1/3" color IT CCD
Total Pixels	811(H) x 508(V)
Effective Pixels	768(H) x 494(V)
Scanning	Internal
Minimum Illumination	0.5Lux at F1.3
Resolution	520 TV Line
Video Output	1Vp-p composite video 75Ω unbalanced
Scanning Frequency	15.734KHz(H) / 59.94Hz(V)
AGC	ON/OFF selectable
White Balance	ATW / AWB / Manual selectable
BLC function	Independent selectable 64point & weight.
Sharpness	Super High-Resolution
Flickerless	ON / OFF selectable (1/100sec)
Operating Temperature	-25°C to +75°C
Storage Temperature	-35°C to +85°C
Weight	450g

#### OSD function images.



#### DIMENSION



**PRIMETECH**  
ENGINEERING [www.pte.jp](http://www.pte.jp)  
**PRIMETECH ENGINEERING CORP.**  
Ts93Bldg, 3F, 4-2-6, Kohinata,  
Bunkyo-Ku, Tokyo 112-0006, Japan  
TEL : +81-3-5805-6766  
FAX : +81-3-5805-6767  
E-Mail : eigyo@pte.jp

**PRIMETECH ENGINEERING FACTORY OF YOKOHAMA.**  
Sannomori Town Bldg.2F, 108-7, Sanmaicho,  
Kanagaw-ku, Yokohama-City, Kanagawa  
221-0862, Japan  
TEL : +81-45-488-6421 FAX : +81-45-413-5144

**PRIMETECH KOREA.**  
Address(Zip code:463-825):  
2318 Bobos Chereville Bldg, 5-2 Sunae-dong,  
Bundang-gu, Seongnam-si, Gyeonggi-do, Korea.  
TEL : +82-31-719-7223 E-Mail : sdlee@primeview.co.kr

**DISTRIBUTED BY**  
**Ikas, Incorporated**  
6303 Owensmouth Ave., 10th Fl.  
Woodland Hills, CA 91367  
TEL : 1-818-882-4116  
FAX : 1-818-341-6466  
E-Mail : sales@ikasinc.com



## Automotive High-Reliability Dome Camera



### PXD-4PV



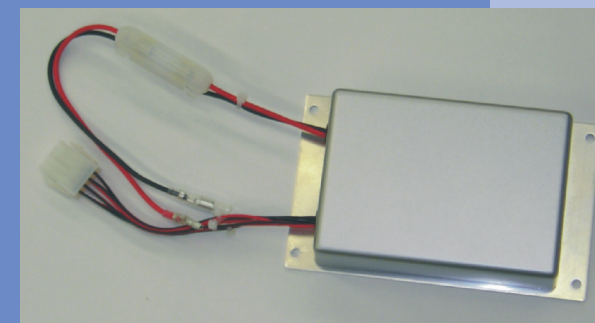
Primetech's new color vandal dome camera PXD-4PV is a high-reliability camera . This camera was designed for automotive (Bus, train, etc.) applications. 64-point backlight compensation allows for image capture in varying light. With die-cast aluminum body and polycarbonate dome, the unit captures the perfect image at any time or place without damage to the camera. There is an exclusive power supply for use with 12V/24V automotive battery. With the use of newer Sony CCD, there is added sensitivity (up to +8dB) compared to ICX408. Thus, camera can even capture images in low light.

#### Features

- Built-in durable vibration pan-focus lens.
- On Screen Display (OSD )
- Supports horizontal resolution 520 TV lines
- Horizontal MIRROR
- BLC, White Balance, Sharpness, Flickerless
- Privacy mask 4 zone
- Wide operating temperature range (-25°C to +75°C)
- Low radio noise
- Waterproof IP 65



#### PXA-BA-01



Model : PXA-BA-01/PXA-BA-02  
Input : DC20V 30V : Model PXA-BA-01  
DC9V 16V : Model PXA-BA-02  
Output : DC8V 10%  
Operating Temperature : -25°C~+75°C  
Storage Temperature : -35°C~+85°C  
Weight : 350g  
Accessories : Molex 5557-08R 1pcs  
Molex 5556TL(PBTL) 9pcs